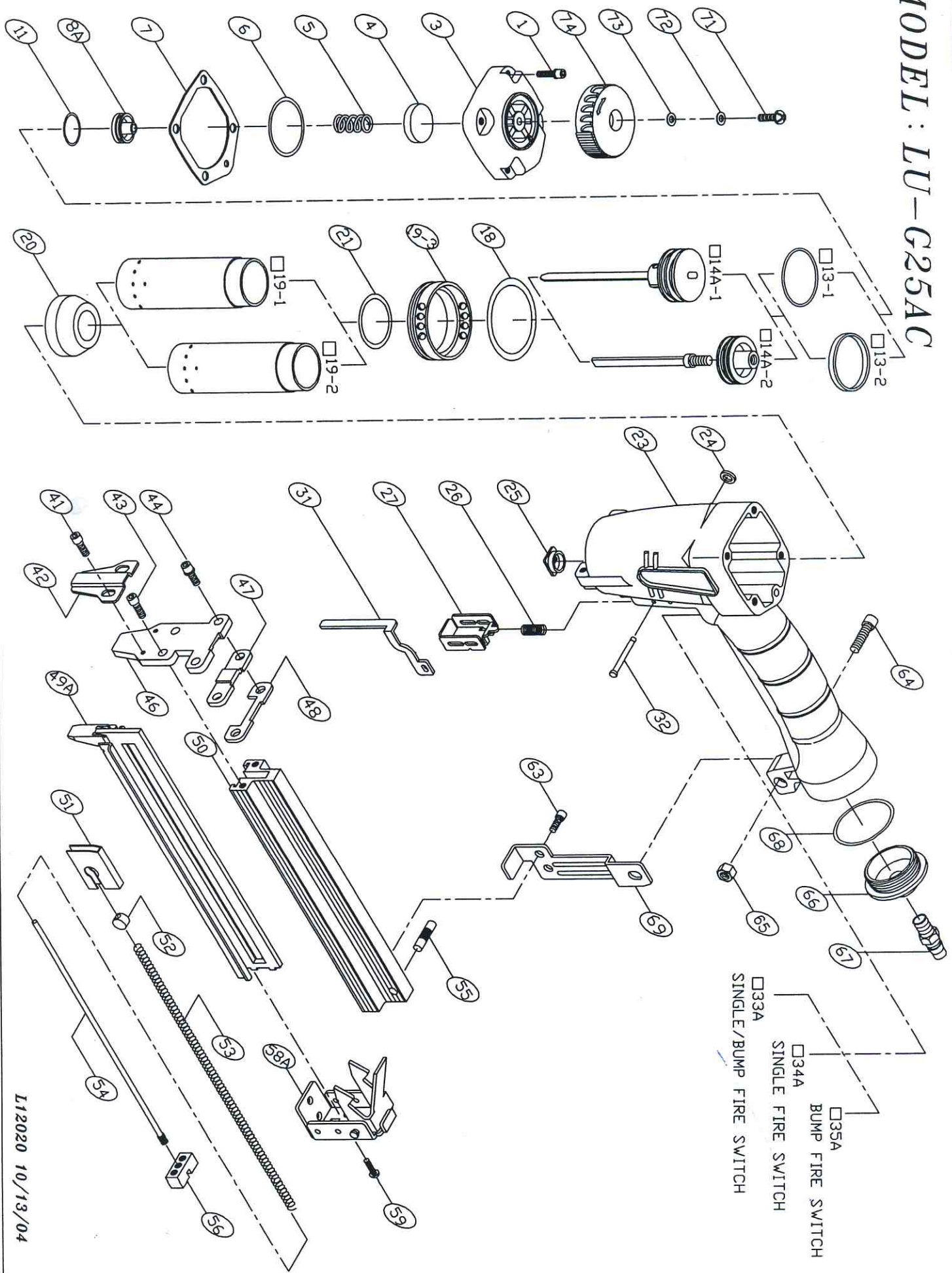


MODEL: LU-G25AC



PARTS LIST (LU-G25AC)

*WHEN ORDERING SPARE PARTS, PLEASE STATE ITEM No, PART No. AND DESCRIPTION.

| ITEM | PART NO | DESCRIPTION | ITEM | PART NO | DESCRIPTION | ITEM | PART NO | DESCRIPTION |
|-------|-----------|-----------------------|------|-----------|--------------------|------|---------|-------------|
| 1 | HS0516BW | HEX. SOC. HD. BOLT+SW | 49A | 12004901A | STAPLE GUIDE UNIT | | | |
| 3 | 11100302 | CAP | 50 | 12005001 | MAGAZINE | | | |
| 4 | 12100401 | SEAL** | 51 | 12005101 | PUSHER | | | |
| 5 | 12100501 | SPRING** | 52 | 14305201 | SLIDE BLOCK | | | |
| 6 | OR1425R | O RING** | 53 | 11305301 | SPRING** | | | |
| 7 | 11100701 | CAP SEAL** | 54 | 11305401 | ROD | | | |
| 8A | 12100801A | HEAD VALVE ASM. | 55 | 11305501 | SHAFT | | | |
| 11 | OR3224R | O RING** | 56 | 11305601 | SET BLOCK | | | |
| 13-1 | QR2331R | O RING** | 58A | 11605801A | END CORE ASM. | | | |
| 13-2 | 11001303 | PISTON RING | 59 | US0510B | UM. HD. BOLT | | | |
| 14A-1 | 12001403A | DRIVER ASSEMBLY** | 63 | HS0410B | HEX. SOC. HD. BOLT | | | |
| 14A-2 | 12001404A | DRIVER ASSEMBLY** | 64 | HS0516B | HEX. SOC. HD. BOLT | | | |
| 18 | OR4630R | O RING** | 65 | LN0500N | LOCK NUT | | | |
| 19-1 | 11101902 | CYLINDER | 66 | 11106601 | COVER | | | |
| 19-2 | 11101902G | CYLINDER | 67 | 12106401 | AIR PLUG | | | |
| 19-3 | 11101903 | COLLAR | 68 | OR4030R | O RING** | | | |
| 20 | 11002001 | BUMPER** | 69 | 11306902 | BRACKET | | | |
| 21 | QR3018R | O RING** | 71 | US0506B | UM. HD. BOLT | | | |
| 23 | 11102309 | BODY | 72 | FW0512W | PLAT WASHER | | | |
| 24 | OR1919H | O RING** | 73 | 12103301 | SEAL | | | |
| 25 | 11602501 | JOINT GUIDE | 74 | 13907403 | EXHAUST COVER | | | |
| 26 | 11002601 | SPRING | | | | | | |
| 27 | 11002702 | GUIDE SAFETY LEVER | | | | | | |
| 31 | 11303101 | SAFETY LEVER | | | | | | |
| 32 | 11103201 | STEPPED PIN | | | | | | |
| 41 | HS0406B | HEX. SOC. HD. BOLT | | | | | | |
| 42 | 11604201 | NOSE COVER | | | | | | |
| 43 | HS0412B | HEX. SOC. HD. BOLT | | | | | | |
| 44 | HS0525BW | HEX. SOC. HD. BOLT+SW | | | | | | |
| 46 | 12004601 | NOSE | | | | | | |
| 47 | 11304701 | SET PLATE | | | | | | |
| 48 | 12104501 | SET PLATE | | | | | | NO : L12020 |