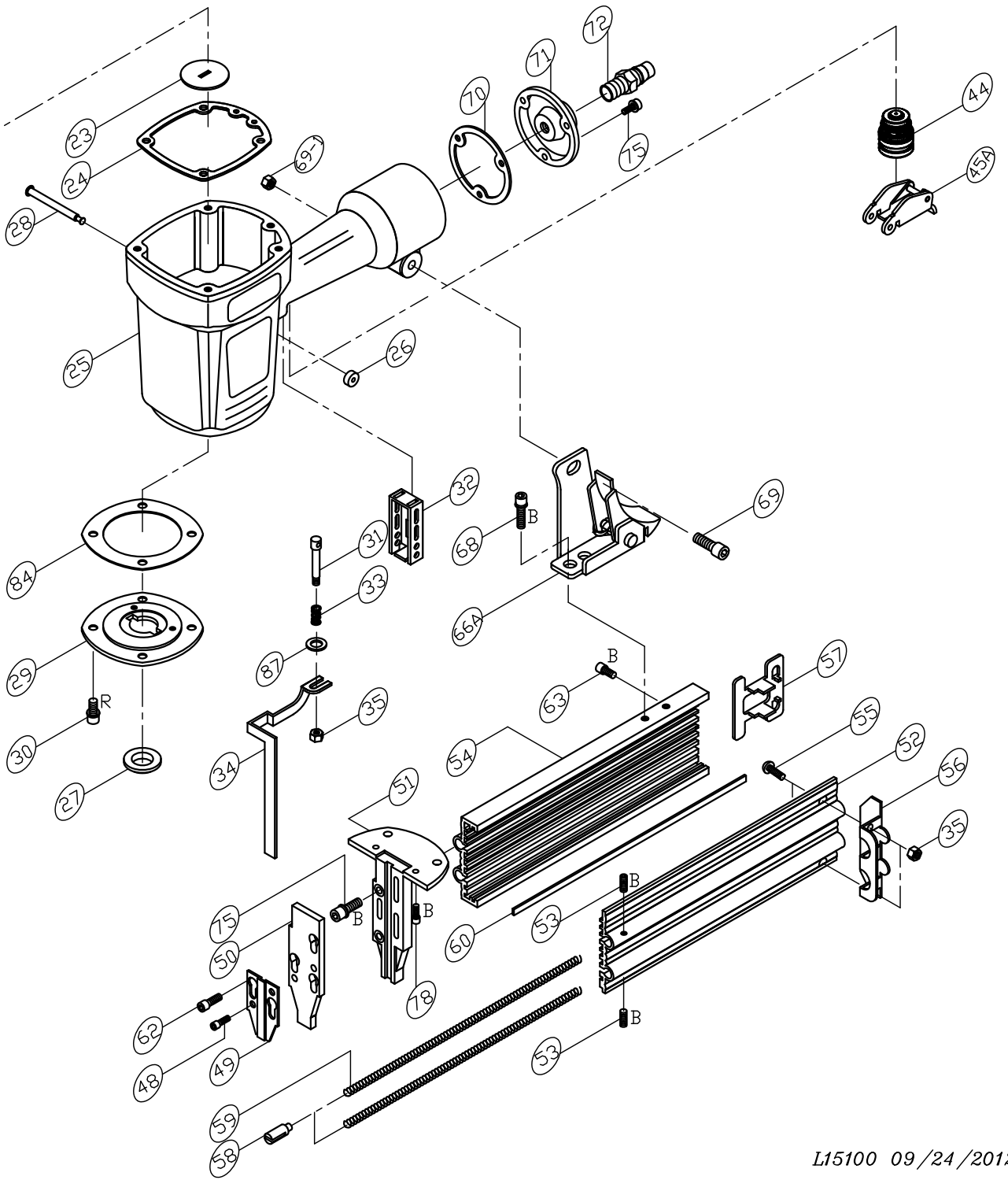
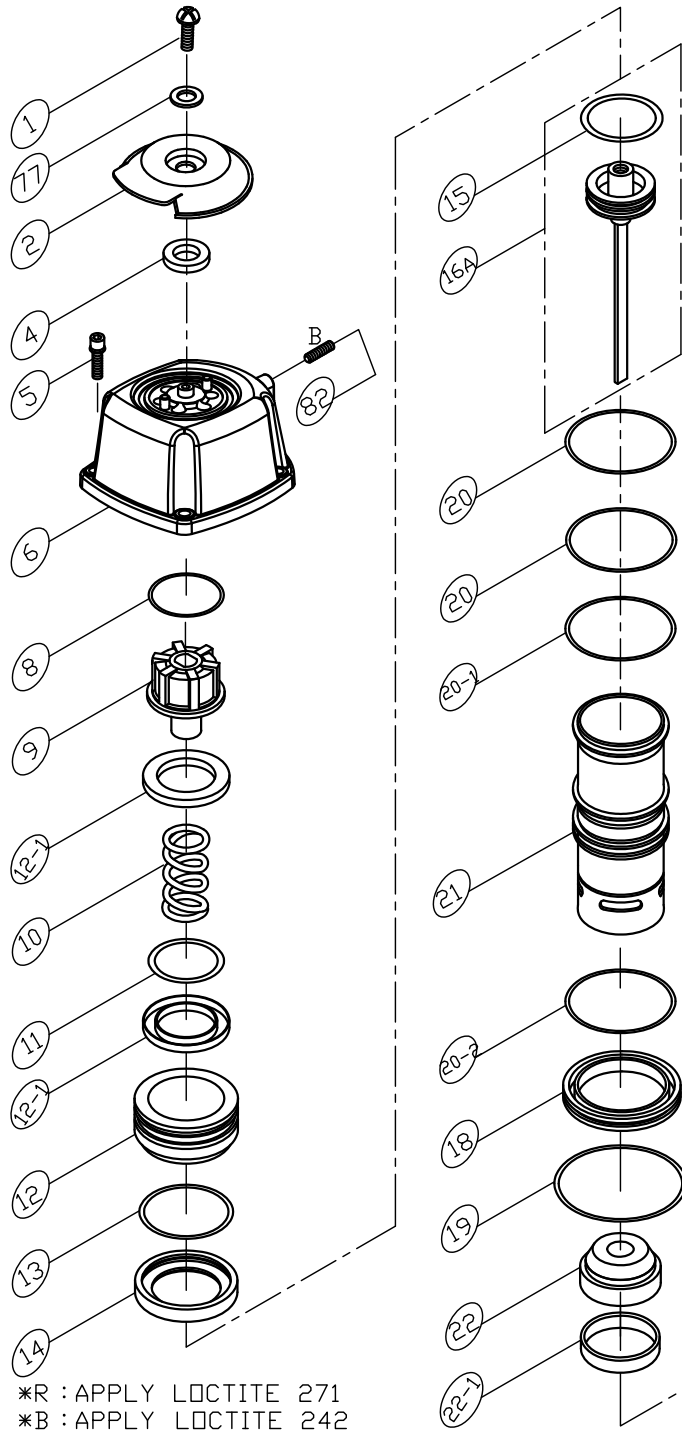


MODEL: LHT-64



*R : APPLY LOCTITE 271
 *B : APPLY LOCTITE 242

PARTS LIST (LHT-64)

***WHEN ORDERING SPARE PARTS, PLEASE STATE ITEM No, PART NO. AND DESCRIPTION.**

ITEM	PART NO	DESCRIPTION	QTY	ITEM	PART NO	DESCRIPTION	QTY	ITEM	PART NO	DESCRIPTION	QTY
01	US05080L-20	UM.HD.BOLT	1	34	15103401	SAFETY LEVER	1				
02	15100202	EXHAUST COVER	1	35	LN0500N	LOCK NUT	3				
04	15300401	PU RING	1	44	15104401A	SWITCH ASSEMBLY	1				
05	HS06100LW-25	HEX.SOC.HD.BOLT+SW	4	45A	15104501A	TRIGGER ASSEMBLY	1				
06	15100601	CAP	1	48	HS04070L-06	HEX.SOC.HD.BOLT	2				
08	15100801	SPACER	1	49	15104901	NOSE COVER	1				
09	15100901	PISTON STOPPER**	1	50	15105001	DRIVER GUIDE COVER	1				
10	15101001	SPRING**	1	51	15105101	NOSE	1				
11	OR41630N	O RING**	1	52	15105201-A01	MAGAZINE COVER	1				
12	15101202	PISTON HEAD VALVE	1	53	SS04070B-12	SET SCREW	2				
12-1	15100401	SPACER	2	54	15105401-A01	MAGAZINE	1				
13	OR52126N	O RING	2	55	US05080B-10	UM.HD.BOLT	2				
14	15101401	SEAL	1	56	15105601	TAIL COVER	1				
15	OR45735N	O RING**	1	57	15105702	PUSHER	1				
16A	15101601A	PISTON ASSEMBLY	1	58	15105801	SLIDE BLOCK	2				
18	15301801	CYLINDER SPACER	1	59	15105901	SPRING**	2				
19	OR74431N	O RING	1	60	15106001	NAIL GUIDE LINER	1				
20	OR53726N	O RING**	2	62	HS05080L-12	HEX.SOC.HD.BOLT	3				
20-1	OR47735N	O RING**	1	63	HS05080B-10	HEX.SOC.HD.BOLT	1				
20-2	OR54431N	O RING**	1	66A	15106101A	BRACKET ASSEMBLY	1				
21	15302103	CYLINDER	1	68	HS05080BW-08	HEX.SOC.HD.BOLT+SW	2				
22	15102202	BUMPER**	1	69	HS06100B-22	HEX.SOC.HD.BOLT**	1				
22-1	15102203	COLLAR	1	69-1	LN0600N	LOCK NUT	1				
23	15102301	WASHER	1	70	15107001	GASKET	1				
24	15102401	GASKET**	1	71	15107101	END CAP	1				
25	15102501	BODY	1	72	12106401	AIR PLUG	1				
26	16103001	PU RING**	2	75	HS05080BW-16	HEX.SOC.HD.BOLT+SW	5				
27	15102701	SET BLOCK	1	77	FW050130B-10	FLAT WASHER	1				
28	16102902	STEPPED PIN	2	78	HS05080B-07	HEX.SOC.HD.BOLT	2				
29	15102902	BOTTOM	1	82	SS06100B-06	SET SCREW	1				
30	HS06100BW-20	HEX.SOC.HD.BOLT+SW	4	84	15108402	GASKET**	1				
31	15103101	SPRING GUIDE	1	87	FW060130B-20	FLAT WASHER	1				
32	15103201	GUIDE SAFETY LEVER	1								
33	15103301	SPRING	1								